



KAFO WORK ORDER

PATIENT INFO (PHI)

LAST NAME/ID _____ FIRST NAME _____

AGE _____ HEIGHT _____ WEIGHT _____ SEX _____

DIAGNOSIS _____

PO# _____

REMARKS: _____

SHIPPING INFORMATION

PRACTITIONER _____ PHONE _____ FAX _____

FACILITY _____

SHIP TO ADDRESS _____

CITY _____ STATE _____ ZIP _____

Ground 2 Day Air Overnight Other: _____

Need by: _____

BILL TO ADDRESS _____

CITY _____ STATE _____ ZIP _____

STYLE

- HKAFO KAFO
 (KAFO only requires dimensions C-I)
- Left Right

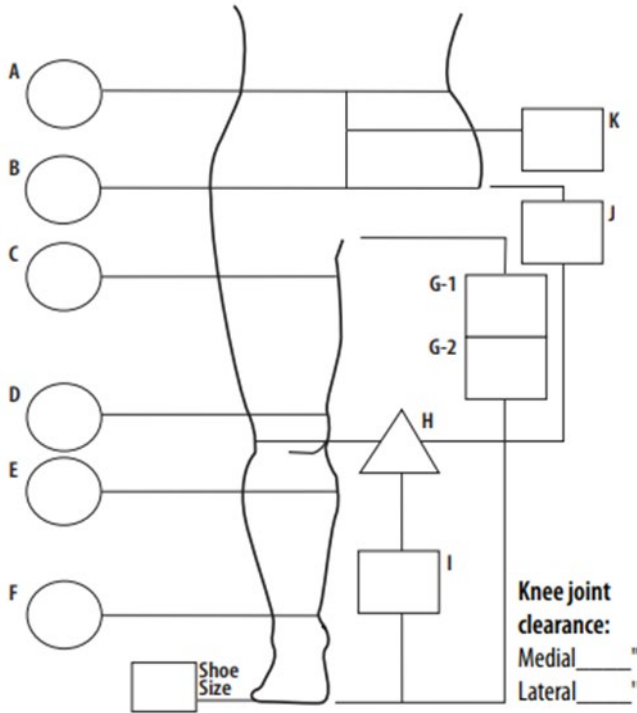
Measuring Toe Out
 Use medial border of foot to measure Toe Out. This is **critical** for proper fit and function of the orthosis and for the alignment of the strut in casting.



knee joint type:

Toe In _____

Toe Out _____



- A = Waist Circumference
- B = Hip Circumference
- C = Proximal Thigh Circ.
- D = Distal Thigh Circ.
- E = Largest Calf Circ.
- F = (Just above) Ankle Circ.
- G = Length, Perineum to Floor
 .1 Anatomical
 .2 Actual Medial Brace
- H = Caliper Meas., Knee Center (M/L)
- I = Length, Knee Center to Floor
- J = Length, Trochanter to Knee Center
- K = Waist to Trochanter

Knee joint clearance:
 Medial _____"
 Lateral _____"

Plastic: 3/32 1/8 5/32 3/16 1/4

Liner: 1/8 1/4 1/2

PE PP CP Black plastic Aliplast Pelite Plastazole

Paper transfer/Decal _____

Reinforcements: Moons Cord Plastic

Ankle Join

Solid

Pls

Articulated
 Tamaraq P M L
 Tamaraq Dorsi 75 85
 Other _____

Clamshell

Inner boot PE Duraflex
 1/8 3/32 3/16

Padding

Vacuum in Add after
 1/8 3/16 1/4 1/2

Aliplast Pelite Plastazole

Other _____

Navicular pads
 St pads
 Malleoli pads
 Toe riser pads
 Partial: See drawing

Forefoot control

No containment

Medial containment
 Foam/Plastic

Lateral containment
 Foam/Plastic

Finish Trimlines

Roll proximal edge

Met head toeplate

Sulcus toe plate

Flexible toe plate

Full toe plate

Sablich tab Med _____ Lat _____

Dorsal wrap

Straps

Color: White Blue Pink Green Red Purple Black Tan Yellow

Calf:

Size	1"	1 1/2"	2"
<input type="checkbox"/> Basic velcro layover			
<input type="checkbox"/> Velcro W/Chafe and loop			
<input type="checkbox"/> Dacron backed:	Black	Tan	White
<input type="checkbox"/> Leather backed:	Black	Tan	White
	Speedy	Copper	Screw

Ankle:

Size	3/4 (white only)	1"	1 1/2"	2"
<input type="checkbox"/> Basic velcro layover		<input type="checkbox"/> Double pile		
<input type="checkbox"/> Internal with chafe		<input type="checkbox"/> Dacron	Tan	White Black
<input type="checkbox"/> External with chafe		<input type="checkbox"/> Attach:	Medial	Lateral
<input type="checkbox"/> Figure 8		<input type="checkbox"/> No straps attach		
<input type="checkbox"/> Butterfly with chafe				
<input type="checkbox"/> Leather:	Tan	White	Black	

Forefoot:

Size	1"	1 1/2"	2"
<input type="checkbox"/> Basic velcro			
<input type="checkbox"/> Slotted			

Other:

Dorsi assist straps

Dorsi Resist (Check) straps

Posting

Heel: Foam/plastic Forefoot: Foam/plastic